

These air supply elements are an important component part of the residential ventilation.

By using the VS 110, a draft-free flow of the outside air into the living room can be implemented without disturbing environmental impacts, such as draft, noise and dirt reaching the living area.

Because of the close building covers supply air elements become more and more necessary for the ventilation of inner baths and toilet areas according to DIN 18017-3.

Volume flow:

Pressure difference 8 Pa: 10 m³/h

Pressure difference 4 Pa: 7 m³/h

Assessed norm sound level difference: (Blind open)

Installation length 365 mm: $D_{n,W,open} = 47$ dB

Installation length > 365 mm: $D_{n,W,open} = 48$ dB

Silencer segments: 1

ex installation length > 365 mm 2 pieces are recommended

Filter class: G2

Dimensions mm:

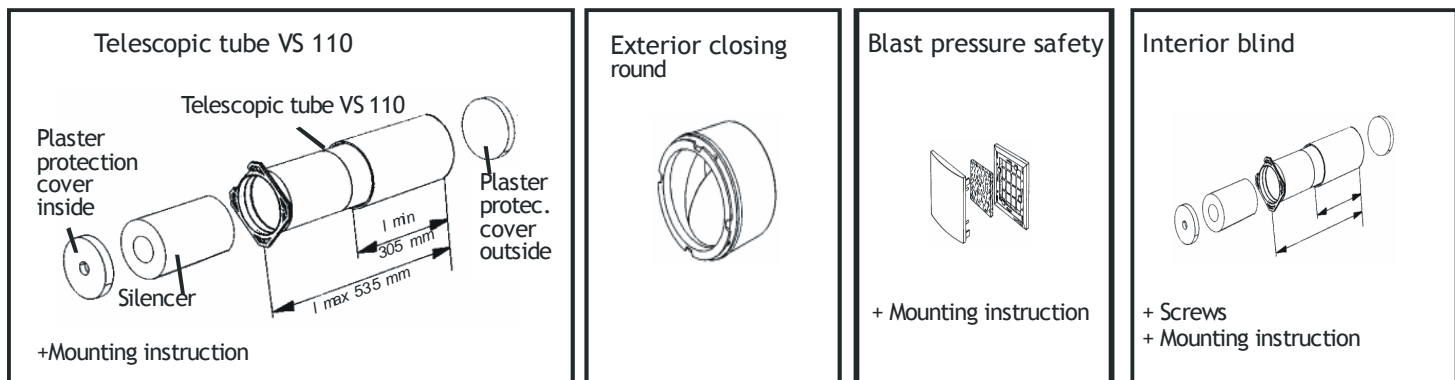
Tube: (Aperture x D) 110 x 305-535

Interior blind: 135 x 135 x 35

Exterior fence, white: 145

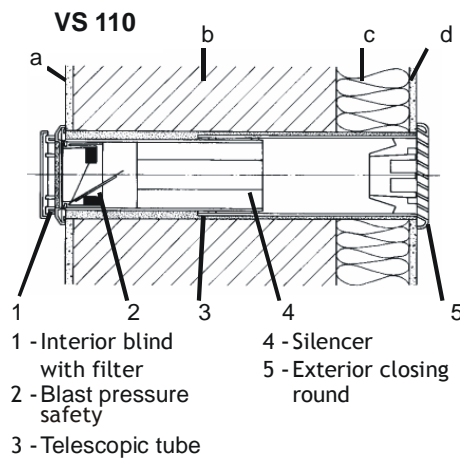


Shipping unit:



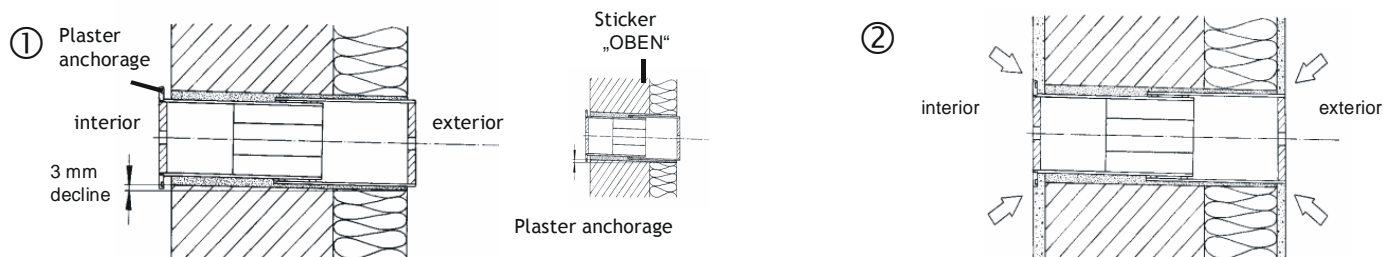
Mounting instruction

Example of installation:



Wall construction: a - interior plaster; b - brickwork; c - insulation; d - exterior plaster;

Mounting instruction VS 110



Prepare the wall aperture for the telescopic tube (e.g. by creating a coring ; drill bit 112 mm). Extract the telescopic tube to the required length. Respect for potential overhang of the tube on both sides, to bridge thickness of the plaster. Please note the sticker "Oben" on the plaster anchorage for the interior blind. Please insert the telescopic tube. Caulk it circular, for example with fitting foam glue.

Apply the interior-and-exterior plaster. If you apply an plastering exterior closing, please change before the plaster protection cover against the exterior cover.