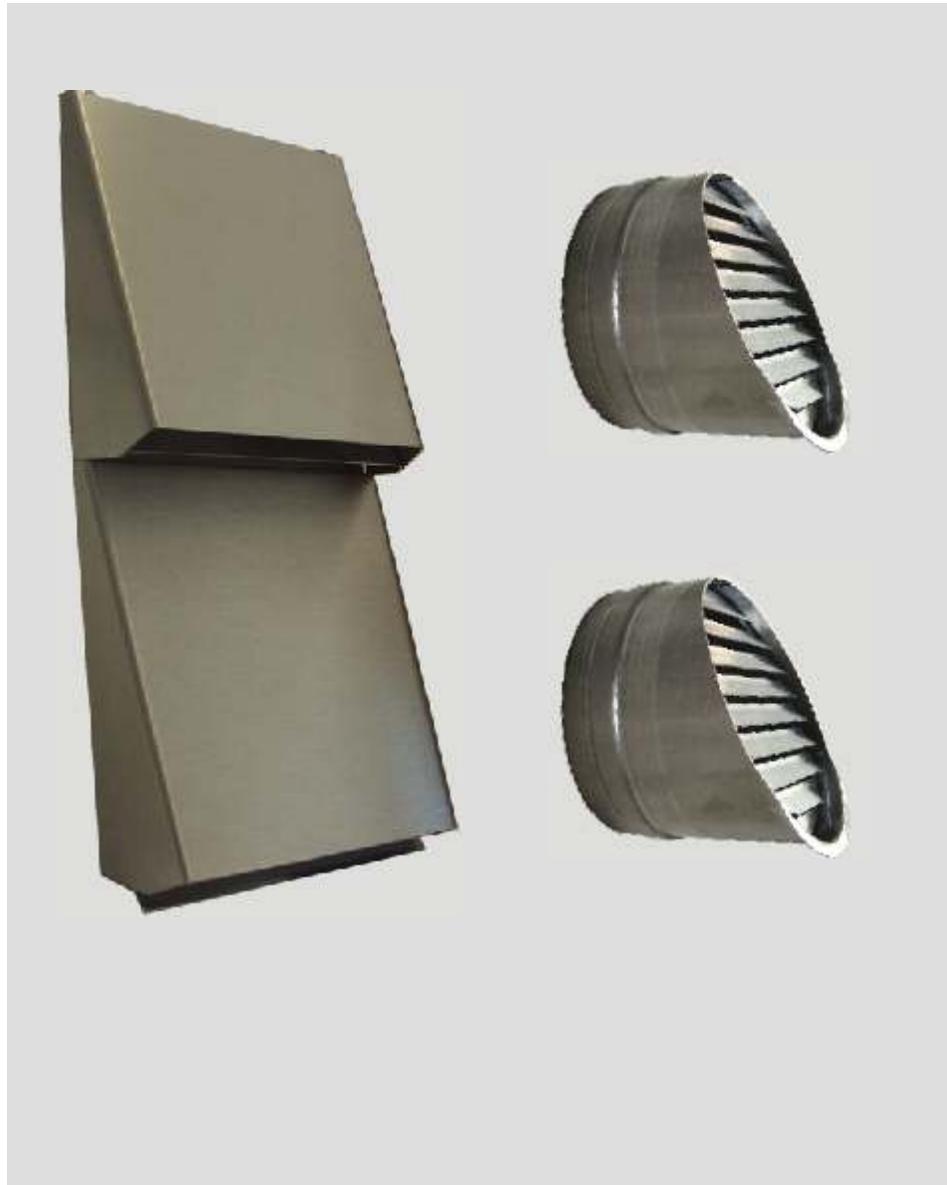


M-WRG External Wall Covers



52.04



Clean air to feel good

MELTEM
Wärmerückgewinnung GmbH & Co.KG
Am Griesfeld 33, D - 82239 Alling near Munic
Tel.: +49 8141 / 404179 - 0
Fax: +49 8141 / 404179 - 9

Stainless steel external wall covers: M-WRG-ES

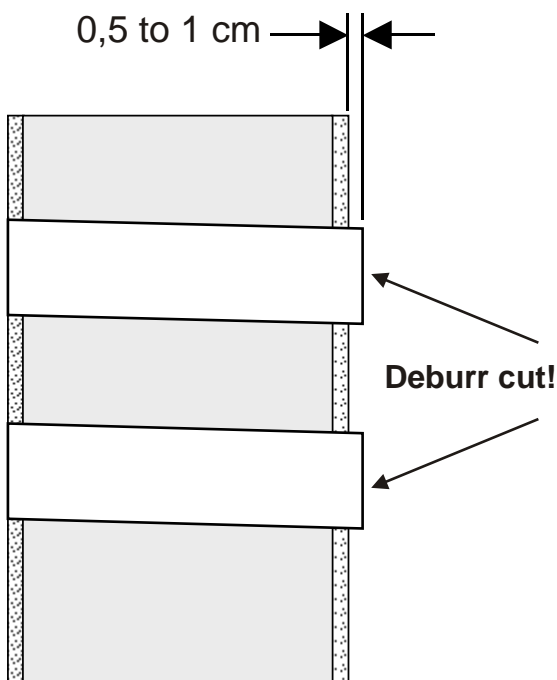


Figure 1

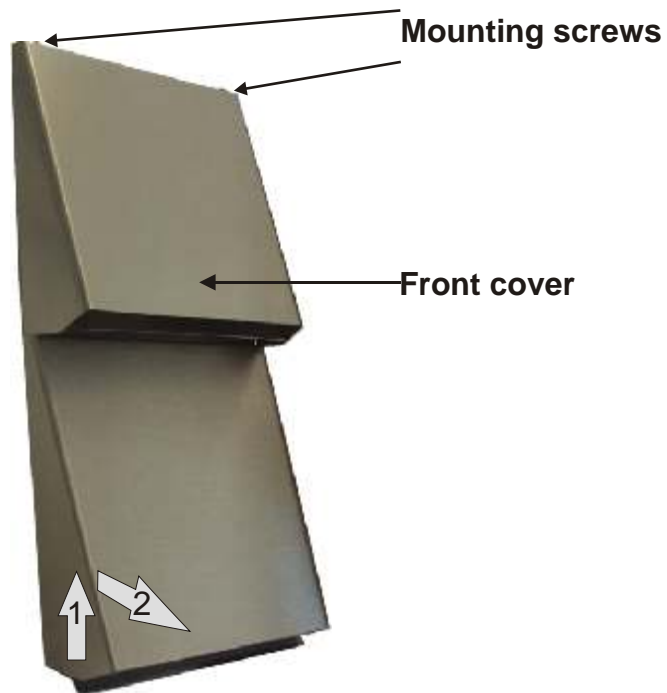


Figure 2

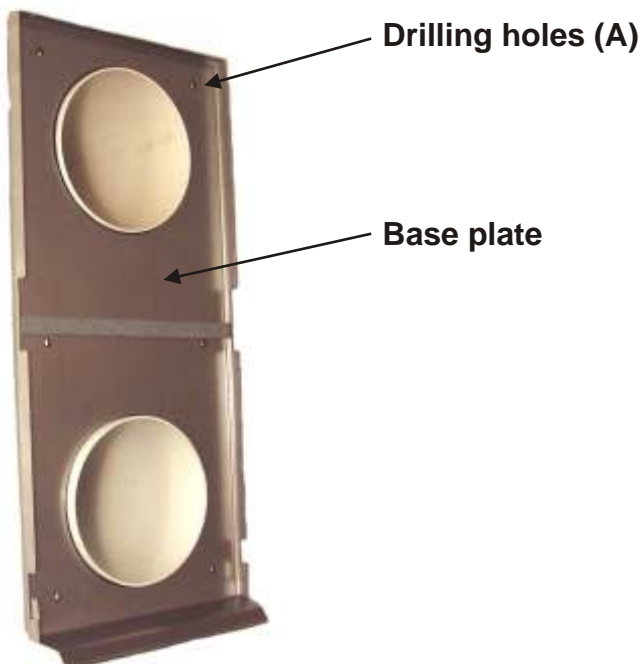


Figure 3

- 1** Cut the plastic pipes to length on the outside [Figure 1]. The pipes must protrude 5 to 10 mm from the external plaster
- 2** 1. **Deburr the cuts on the pipes! This step is particularly important to avoid damaging the seal when pushing the base plate into place!**
- 3** Remove the front cover before installing the stainless steel wall covers [Figure 2]. Remove the screws and push the front cover up by approx. 10 mm. Lift the cover off.
- 4** 1. Position the base plate on the external wall and mark out the predrilled holes [Figure 3(A)].



Figure 4

Retainer tabs (B)

5 Drill 6 mm holes and insert wall plugs

6 Use the supplied screws (4.5 x 40 mm) to fix the base plate on the external wall.

7 Insert the front cover [Figure 4], Note! The retainer tabs on the front cover must be pushed into the retainer tabs on the base plate [Figure 4 (B)].

8 Insert and tighten the mounting screws [Figure 2].

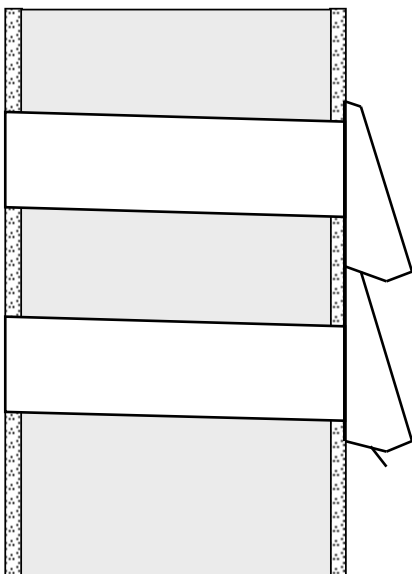


Figure 5

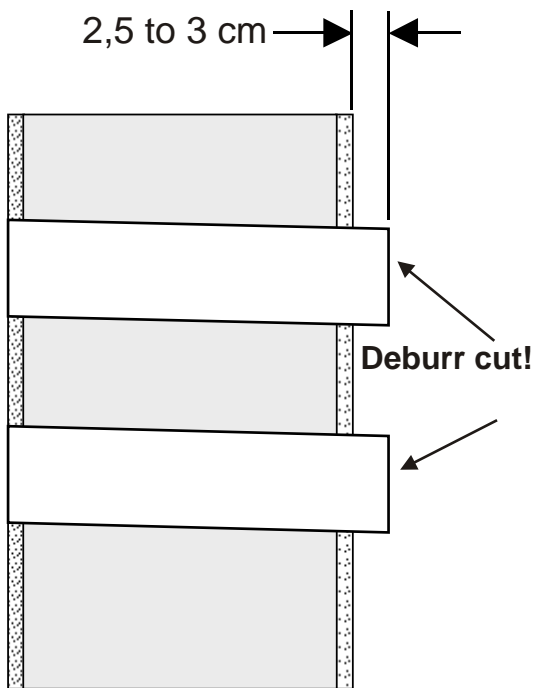


Figure 1

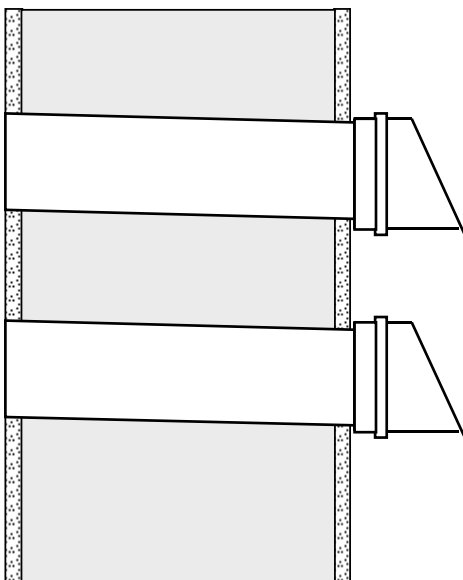


Figure 2

Stainless steel pipe set M-WRG-ESR

- 1** Cut the plastic pipes to length in the external area [Figure 1]. The pipes must protrude 25 to 30 mm from the external plaster!
- 2** Important! To avoid damaging the seal during assembly the cuts must be deburred!
- 3** Deburr the cuts on the pipes! This step is particularly important to avoid damaging the seal during assembly!
- 4** Important! To ensure the secure attachment of the external wall cover and the plastic pipes we recommend coating their inside with a permaplastic sealant, e.g. silicone, before pushing them into position.
- 5** Push the external wall cover M-WRG-ESR onto the plastic pipes [Figure 2]. The drip edge must point downwards.