

HOME VENTILATION WITH HEAT RECOVERY

Ventilation units
M-WRG-II P...
M-WRG-II E...

Maintenance by the user /
Maintenance by a specialist company



Part no. 744015EN Week 52/2020 EN



Contents

| | | |
|----------|--|-----------|
| 1 | Introduction | 4 |
| 1.1 | Notes on these maintenance instructions | 4 |
| 1.2 | Description | 4 |
| 1.3 | Target group | 4 |
| 1.4 | Nameplate with device number | 5 |
| 1.5 | Revision index | 5 |
| 1.6 | Explanation of the symbols used | 5 |
| 2 | Safety instructions | 6 |
| 2.1 | Hazard classification | 6 |
| 2.2 | Starting and using the ventilation unit | 6 |
| 2.3 | Intended use | 6 |
| 3 | Warranty and liability | 7 |
| 4 | Controls and indicators on the ventilation unit | 7 |
| 5 | General notes on maintenance | 8 |
| 5.1 | Air filters | 8 |
| 5.1.1 | Filter maintenance | 8 |
| 5.1.2 | Choice of filter | 8 |
| 5.1.3 | Ordering filters | 8 |
| 5.1.4 | Important notes on the filter change | 9 |
| 5.2 | Cleaning the ventilation unit | 9 |
| 6 | Maintenance schedules | 10 |
| 6.1 | Device number | 10 |
| 6.2 | Maintenance schedule A – annual maintenance (user) | 10 |
| 6.3 | Maintenance schedule B – maintenance every 5 years (specialists only) | 11 |
| 7 | Spare parts and equipment required | 11 |
| 7.1 | Maintenance schedule A – annual maintenance | 11 |
| 7.2 | Maintenance schedule B – maintenance every 5 years | 11 |
| 8 | Maintenance schedule A – carry out annual maintenance (user) | 12 |
| 8.1 | Switch ventilation unit off at mains switch | 12 |
| 8.2 | Remove cover from ventilation unit and clean | 12 |
| 8.3 | Remove extract air filter, clean filter ring | 12 |
| 8.4 | Remove outdoor air filter, clean filter cover | 13 |
| 8.5 | Check outdoor air pipe for soiling and clean if necessary | 13 |
| 8.6 | Clean filter base on extract air side if necessary | 14 |
| 8.7 | Clean air grilles or duct adapters | 14 |
| 8.7.1 | Clean air grilles (for surface-mount or flush-mount ventilation units without ductwork connection) | 14 |

| | | |
|----------|--|-----------|
| 8.7.2 | Clean duct adapters (for surface-mount ventilation units with ductwork connection) ... | 15 |
| 8.7.3 | Clean duct adapters (for flush-mount ventilation units with ductwork connection) | 15 |
| 8.7.4 | Clean duct adapters (for U ² integrated into wall ventilation units) | 15 |
| 8.8 | Clean supply air ducts on intermediate plate | 16 |
| 8.9 | Check heat exchanger for soiling | 16 |
| 8.10 | Insert new extract air filter | 17 |
| 8.11 | Insert new outdoor air filter | 18 |
| 8.12 | Switch on ventilation unit and check functions | 19 |
| 8.13 | Attach unit cover to ventilation unit | 19 |
| 8.14 | Reset filter change indicator | 20 |
| 8.15 | Enter completed maintenance in maintenance schedule A | 20 |
| 9 | Maintenance schedule B – carry out every 5 years (specialists only) | 21 |
| 9.1 | Switch off power to the ventilation unit | 21 |
| 9.2 | Remove cover from ventilation unit and clean | 22 |
| 9.3 | Remove extract air filter | 22 |
| 9.4 | Remove outdoor air filter | 22 |
| 9.5 | Remove electronics compartment covers and intermediate plate | 23 |
| 9.6 | Remove heat exchanger | 24 |
| 9.7 | Clean heat exchanger | 24 |
| 9.8 | Insert heat exchanger | 25 |
| 9.9 | Insert and secure intermediate plate and electronics compartment covers | 26 |
| 9.10 | Clean flat ducts/flexible pipes | 27 |
| 9.11 | Insert air filters, carry out function test and attach unit cover | 27 |
| 9.12 | Enter completed maintenance in maintenance schedule B | 27 |

1 Introduction

1.1 Notes on these maintenance instructions



These maintenance instructions contain important information that should be followed when maintaining ventilation units from the M-WRG-II series.

- ▶ Read all the instructions carefully before maintaining the ventilation unit to avoid possible risks and mistakes.
- ▶ When assembly is complete, give these instructions to the home owner, caretaker or property manager.
- ▶ These instructions are part of the product. Keep the instructions in a safe place for future reference.

WARNING

- ▶ Follow ALL danger and warning instructions and notes on precautionary measures.
- ▶ Read chapter “2 Safety instructions” from page 6 carefully.

1.2 Description

These instructions describe the maintenance of ventilation units from the M-WRG-II series and refer to the DIN 1946-6 standard.

Maintenance and cleaning significantly affect how the ventilation units work and their effectiveness. Correct maintenance prevents hygiene problems, preserves the building structure and has a positive effect on the ventilation unit's power consumption.

1.3 Target group

These maintenance instructions are aimed at two target groups:

- Chapters “1 Introduction” to “8 Maintenance schedule A – carry out annual maintenance (user)” are intended for users of the ventilation unit. No special prior knowledge is needed.
- The activities described in chapter “9 Maintenance schedule B – carry out every 5 years (specialists only)” must only be carried out by specialised personnel with the following qualifications:
 - Training and knowledge of how to inspect, clean and maintain ventilation units
 - Training in the installation and commissioning of electrical devices
 - Training in electrical hazards and the local safety requirements
 - Knowledge of the relevant standards and directives
 - Knowledge and observance of this document and all the safety instructions

1.4 Nameplate with device number

| | | |
|--|------------------|-----------|
| Meltem Wärmerückgewinnung GmbH & Co. KG Am Hartholz 4 82239 Alling www.meltem.com Tel.: 08141-40 41 79-0 | | |
| Device no.: | Type: M-WRG-II P | |
| | Part no.: 700000 | |
| | max. 53 W | |
| 230 V | 50 Hz | IP X4 |
| CE | □ | Iso-Kl. B |

Fig. 1: Nameplate

You will find the nameplate with the device number on the intermediate plate inside the housing (see item 1 in Fig. 2).



Fig. 2: Position of the nameplate

1.5 Revision index

| Edition | Manual | Date |
|-------------------------|--|-----------------|
| 1 st edition | Maintenance instructions M-WRG-II P... / M-WRG-II E ventilation units | Week 52/2020 EN |

1.6 Explanation of the symbols used

- ▶ This symbol indicates an action to be taken.
- This symbol indicates a list.

2 Safety instructions

These instructions contain notes that you must follow for your own personal safety and to avoid injury and damage to property. They are highlighted by warning triangles and are shown as follows according to the level of danger.

2.1 Hazard classification

DANGER

The signal word designates a hazard with a **high** degree of risk which, if it is not avoided, will result in death or severe injury.

WARNING

The signal word designates a hazard with a **medium** degree of risk which, if it is not avoided, will result in death or severe injury.

CAUTION

The signal word designates a hazard with a **low** degree of risk which, if it is not avoided, could result in minor or moderate injury.

NOTICE

A note as used in this manual contains important information about the product or about a part of the manual to which particular attention should be paid.

2.2 Starting and using the ventilation unit

- Do not start up the ventilation unit until it is fully installed.
- Always operate the ventilation unit with the air filters fitted.
- Always make sure that the cover is closed and locked in place before using the ventilation unit.

2.3 Intended use

- The intended use also includes compliance with all the notes in the maintenance instructions.
- The ventilation unit must not be operated without air filters or outer wall terminal.
- For any use contrary to the intended use, Meltem Wärmerückgewinnung GmbH & Co. KG shall accept no liability for any damage that may occur and offers no warranty that the ventilation unit will work perfectly and correctly.

3 Warranty and liability

The warranty and liability shall be void if the ventilation unit is not maintained as described in these maintenance instructions.

4 Controls and indicators on the ventilation unit

On the left of the ventilation unit there is a membrane touch pad with 5 buttons (items 1 to 5 in Fig. 3). These buttons are used to set the ventilation levels / programs. The 5 LEDs (LEDs 1 to 5 in Fig. 3) indicate the status of the ventilation unit. They also display any fault messages or whether an air filter needs to be changed (LED 1 lights up continuously).

The mains switch (item 1 in Fig. 4) is located behind the unit cover. The unit cover must be removed in order to access it.

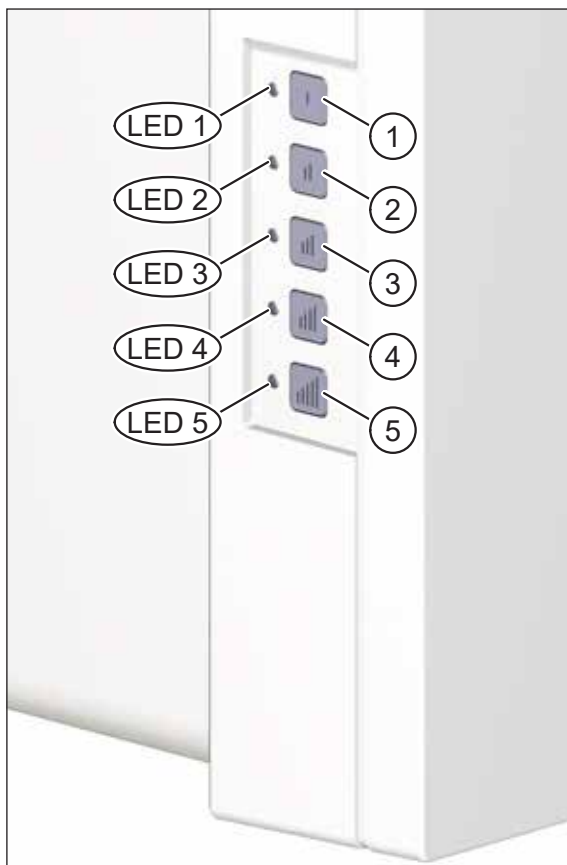


Fig. 3: Membrane touch pad and LEDs on the left of the unit



Fig. 4: Mains switch, visible when unit cover is removed

5 General notes on maintenance

5.1 Air filters

5.1.1 Filter maintenance

The ventilation unit has a runtime-controlled filter monitoring function with visual display. It monitors the time since the last air filter change. If the last air filter change was more than one year ago, the filter change display is activated and a pending air filter change is signalled by LED 1, which lights up constantly (see Fig. 3 on page 7).

No tools are needed to change the air filters.

NOTICE

► Follow the instructions for changing the filters in section 5.1.4 on page 9.

5.1.2 Choice of filter

The following air filters may be used or are available for selection for the M-WRG-II ventilation units:

| Part no. | Type | Filter type | Filter class | Application |
|----------|-------------|--|------------------------|---|
| 750010 | M-WRG-II FA | Outdoor air filter | ISO ePM1 60% (F7) | Effectively filters out respirable particulates such as pollen, soot and bacteria from dust class PM1 |
| 750020 | M-WRG-II FK | Activated charcoal filter (optional for outdoor air) | ISO ePM2,5 55% (F7) | Effectively retains respirable particulates such as pollen, soot and bacteria from dust class PM2.5, and the activated charcoal layer absorbs odours and harmful gases such as propellants, nitrogen oxides, ozone and solvents |
| 750000 | M-WRG-II FS | Extract air filter | ISO Coarse 60% (G4) | Effectively retains coarse particulates such as household dust >PM10 |

Table 1: Choice of filter

5.1.3 Ordering filters

Please contact your local or regional dealer for information on ordering filters. You will find the contact details on our website at www.meltem.com (or using the QR code on this page).



Go to
www.meltem.com

5.1.4 Important notes on the filter change

- Never run the ventilation unit without air filters.
- Always use genuine Meltem filters. These are precisely matched to your M-WRG-II ventilation units, ensure minimal pressure losses and will ensure a long service life from your ventilation units.
- DIN 1946-6 “Ventilation for residential buildings” recommends changing air filters every six months. The air filters for outdoor air and extract air should be replaced at least once a year on hygiene grounds, ideally before the cold weather starts.
- In high levels of air pollution (e.g. from road traffic or industry, rooms with high dust levels) change the filters **every six months**.
- Always replace air filters in pairs. The permeability of both air filters affects the efficiency and power consumption of the ventilation unit.
- Observe the filter change indicator (LED 1 lights up continuously, see Fig. 3 on page 7) and replace the air filters as necessary.

NOTICE

An outdoor air filter from filter class ISO ePM1 $\geq 50\%$ (F7) is needed to fulfil the hygiene requirements defined in VDI 6022 and DIN 1946-6 (category H). Every M-WRG-II ventilation unit is equipped with such an air filter as standard.

5.2 Cleaning the ventilation unit

⚠ WARNING

- ▶ Switch off the power to the ventilation unit before cleaning.
- ▶ When cleaning, make sure that no moisture penetrates into the inside of the housing.
- ▶ Never use a high pressure cleaner, steam cleaner or steam jet.

The ventilation unit is made of high quality plastic and requires little care.

- ▶ Wipe the outer surfaces from time to time with a soft, damp cloth. Use mild soapy water. A commercially available plastic cleaner can be used for particularly stubborn dirt.

NOTICE

- ▶ Never use acidic, corrosive or abrasive cleaning agents.

6 Maintenance schedules

6.1 Device number

- ▶ Enter your device number on the line below. You will find the device number on the nameplate (see item 1 in Fig. 2 on page 5).

Device number: _____

6.2 Maintenance schedule A – annual maintenance (user)

| Component | Activity | Date | | | | | | | | | |
|--------------------------------|-------------------|------|--|--|--|--|--|--|--|--|--|
| | | | | | | | | | | | |
| Unit cover | Clean | | | | | | | | | | |
| Filter cover | | | | | | | | | | | |
| Filter ring | | | | | | | | | | | |
| Outdoor air pipe | | | | | | | | | | | |
| Filter base | | | | | | | | | | | |
| Air grilles / duct adapters | | | | | | | | | | | |
| Intermediate plate | | | | | | | | | | | |
| Heat exchanger | Visual inspection | | | | | | | | | | |
| Outdoor air filter | Replace | | | | | | | | | | |
| Extract air filter | | | | | | | | | | | |
| Supply air and exhaust air fan | Function test | | | | | | | | | | |

Table 2: Maintenance schedule A – annual maintenance

6.3 Maintenance schedule B – maintenance every 5 years (specialists only)

| Component | Activity | Date | | | | | | | | | | | |
|---|------------------|------|--|--|--|--|--|--|--|--|--|--|--|
| | | | | | | | | | | | | | |
| Heat exchanger | Clean | | | | | | | | | | | | |
| Flat ducts/ flexible pipes (if present) | Clean | | | | | | | | | | | | |
| Supply air and exhaust air fan | Function test | | | | | | | | | | | | |

Table 3: Maintenance schedule B – maintenance every 5 years

7 Spare parts and equipment required

7.1 Maintenance schedule A – annual maintenance

- 2x replacement filters, see section 5.1.2 on page 8
- Lint-free cloth for cleaning the surfaces of the ventilation unit
- Lint-free cloth for covering the heat exchanger
- Mild soapy water
- Vacuum cleaner with attachment for scratch-prone surfaces, e.g. brush attachment with natural hair bristles
- Duster made from special fibres with handle, e.g. Swiffer

7.2 Maintenance schedule B – maintenance every 5 years

- Container for cleaning the heat exchanger
- Mild soapy water
- Torx screwdriver TX10
- Torx screwdriver TX20
- Vaseline
- Soft cloth on which to place the heat exchanger

8 Maintenance schedule A – carry out annual maintenance (user)

8.1 Switch ventilation unit off at mains switch

- ▶ Switch the ventilation unit off at the mains switch (item 1 in Fig. 4 on page 7).

NOTICE

On ventilation units with the M-WRG-II O/NOF option, power to the unit must be switched off using the building's miniature circuit breaker.

8.2 Remove cover from ventilation unit and clean

- ▶ Using both thumbs, press the two latches (item 1 in Fig. 5) on the bottom of the ventilation unit. The unit cover (item 2 in Fig. 5) will come away.
- ▶ At the same time, push your index fingers into the gap between the unit cover and housing, and lift the unit cover up and away from the housing.
- ▶ Clean the unit cover on all sides with a damp cloth and mild soapy water.



Fig. 5: Remove cover from the ventilation unit and clean

8.3 Remove extract air filter, clean filter ring

- ▶ Turn the filter ring (item 1 in Fig. 6) using the hand grip (item 2 in Fig. 6) anti-clockwise until the filter ring is released from the retainers.
- ▶ Pull the filter ring together with the extract air filter (item 3 in Fig. 6) out of the ventilation unit.
- ▶ Detach the extract air filter from the filter ring.
- ▶ Clean the filter ring with a damp cloth and mild soapy water.
- ▶ Dispose of the used air filter in the non-recyclable waste or as required by your country's disposal regulations.

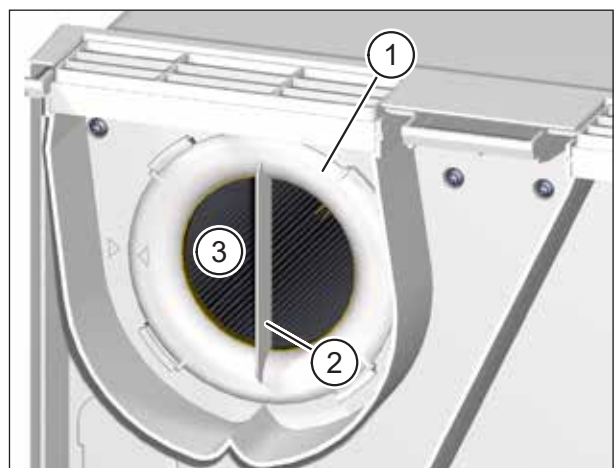


Fig. 6: Remove extract air filter, clean filter ring

8.4 Remove outdoor air filter, clean filter cover

- ▶ Turn the filter cover (item 1 in Fig. 7) using the hand grip (item 2 in Fig. 7) anti-clockwise until the filter cover is released from the retainers.
- ▶ Pull the filter cover together with the outdoor air filter out of the ventilation unit.
- ▶ Detach the outdoor air filter from the filter cover.
- ▶ Clean the filter cover with a damp cloth and mild soapy water.
- ▶ Dispose of the used air filter in the non-recyclable waste or as required by your country's disposal regulations.

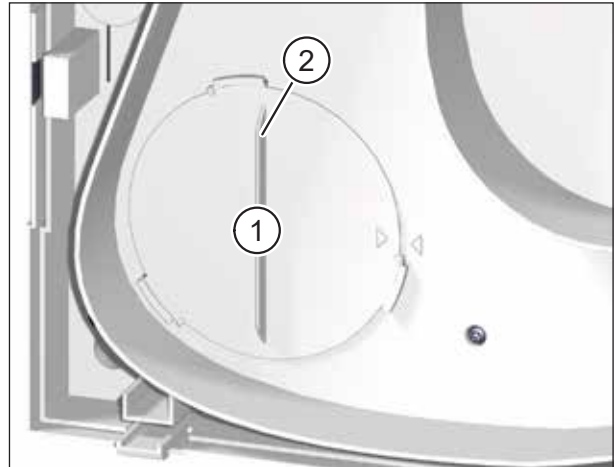


Fig. 7: Remove outdoor air filter, clean filter cover

8.5 Check outdoor air pipe for soiling and clean if necessary

- ▶ Check the outdoor air pipe (item 1 in Fig. 8) for soiling.
- ▶ Clean the outdoor air pipe with a vacuum cleaner or duster, if necessary (see section 7.1 on page 11).

NOTICE

- ▶ When cleaning, be careful not to damage the optional temperature sensor (item 2 in Fig. 8).

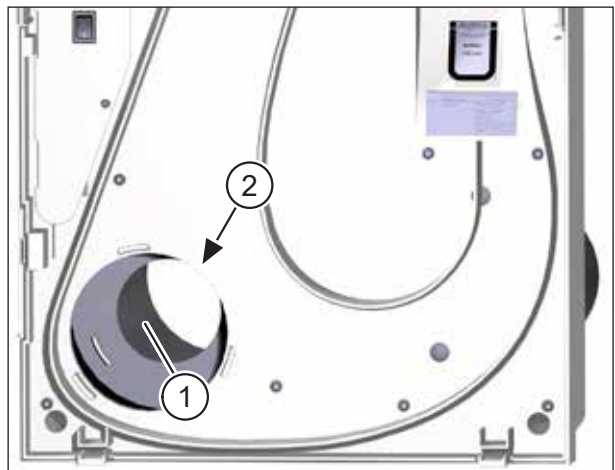


Fig. 8: Check outdoor air pipe for soiling and clean if necessary

8.6 Clean filter base on extract air side if necessary

- ▶ Check the filter base on the extract air side (item 1 in Fig. 9) for soiling.
- ▶ Clean the filter base if necessary:
 - ▶ Cover the heat exchanger (item 2 in Fig. 9) with a lint-free cloth. This will prevent dirt getting inside the heat exchanger.
 - ▶ Clean the filter base with a vacuum cleaner (see section 7.1 on page 11).

NOTICE

- ▶ When cleaning, be careful not to damage the optional humidity sensor (item 3 in Fig. 9) or optional CO2 sensor (item 4 in Fig. 9).

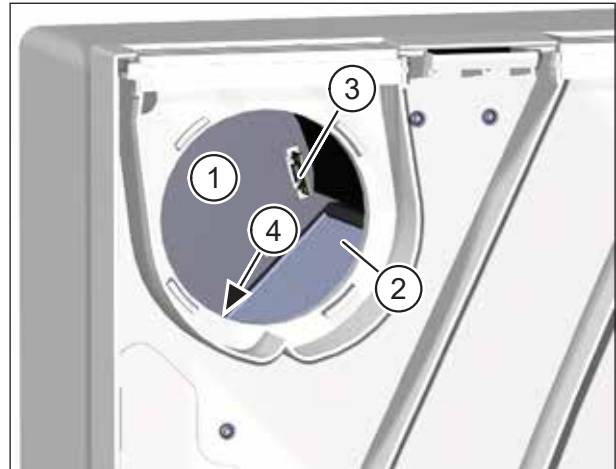


Fig. 9: Clean filter base on extract air side if necessary

8.7 Clean air grilles or duct adapters

8.7.1 Clean air grilles (for surface-mount or flush-mount ventilation units without ductwork connection)

- ▶ Clean the air grilles (item 1 in Fig. 10) with a damp cloth and mild soapy water. You can take out the air grille if necessary. To do this, carefully push the two retainers (item 2 in Fig. 10) outwards and pull the air grilles forward and out.
- ▶ Insert the air grilles once more after cleaning.

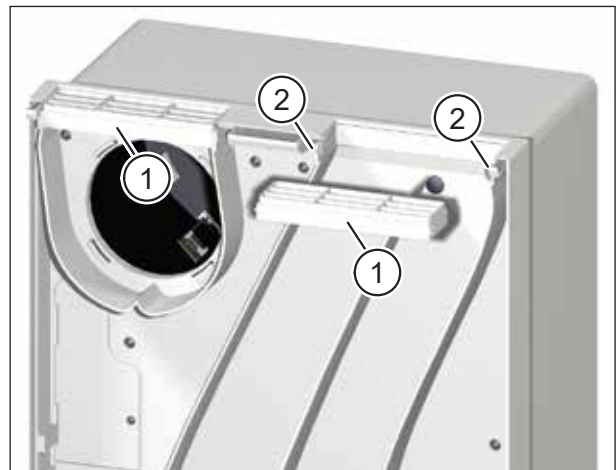


Fig. 10: Clean air grilles (for surface-mount or flush-mount without ductwork connection)

8.7.2 Clean duct adapters (for surface-mount ventilation units with ductwork connection)

- ▶ Clean the duct adapters (item 1 in Fig. 11) with a damp cloth and mild soapy water.
You can take out the duct adapters if necessary. To do this, carefully push the two retainers (item 2 in Fig. 11) outwards and pull the duct adapters forward.
- ▶ Insert the duct adapters once more after cleaning.

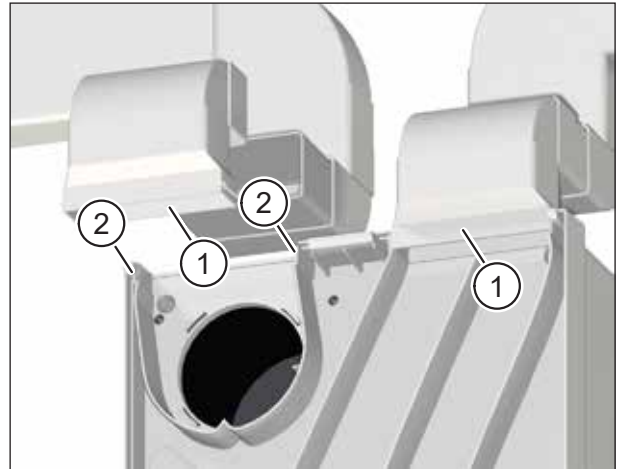


Fig. 11: Clean duct adapters (for surface-mount with ductwork connection)

8.7.3 Clean duct adapters (for flush-mount ventilation units with ductwork connection)

- ▶ Clean the extract air and supply air openings (item 1 in Fig. 12) on the duct adapter with a damp cloth and mild soapy water.

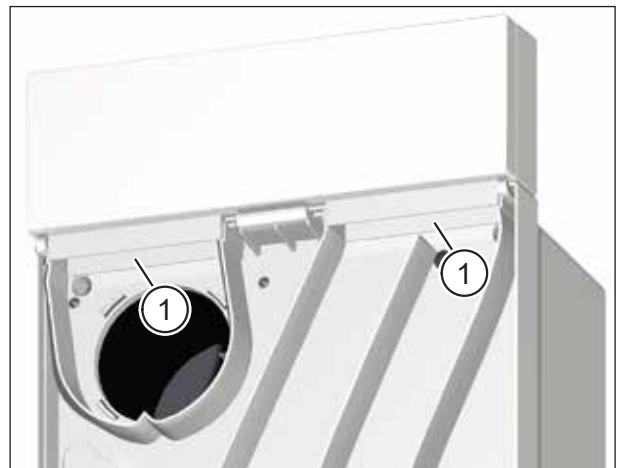


Fig. 12: Clean duct adapters (for flush-mount with ductwork connection)

8.7.4 Clean duct adapters (for U² integrated into wall ventilation units)

- ▶ Clean the duct adapters (item 1 in Fig. 13) with a damp cloth and mild soapy water.
You can take out the duct adapters if necessary. To do this, carefully push the two retainers (item 2 in Fig. 13) outwards and pull the duct adapters forward.
- ▶ Insert the duct adapters once more after cleaning.

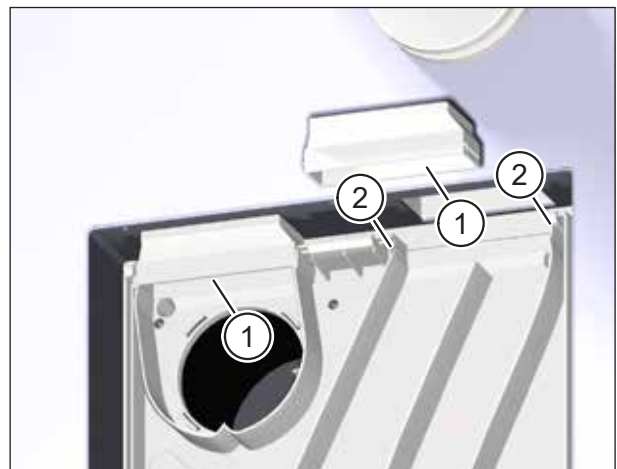


Fig. 13: Clean duct adapters (for U² integrated into wall installation only)

8.8 Clean supply air ducts on intermediate plate

- ▶ Clean the supply air ducts (item 1 in Fig. 14) on the intermediate plate with a damp cloth and mild soapy water.

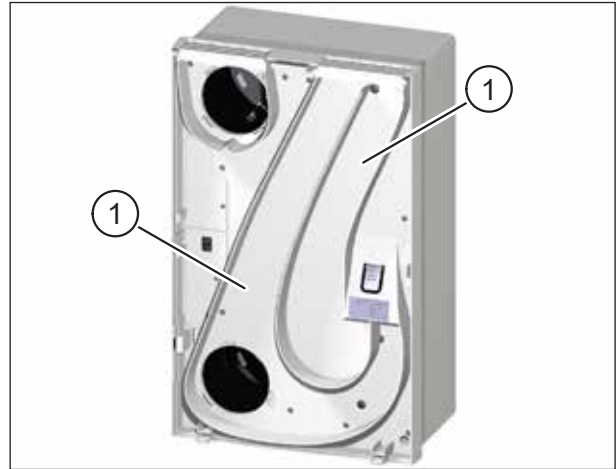


Fig. 14: Clean supply air ducts on intermediate plate

8.9 Check heat exchanger for soiling

- ▶ Visually inspect the heat exchanger (item 1 in Fig. 15) for soiling.
- ▶ Use a soft brush attachment on the vacuum cleaner to clean the heat exchanger.

NOTICE

If significant soiling of the heat exchanger is identified during the annual visual inspection, the ventilation unit must be opened and cleaned by a specialist (see section “9 Maintenance schedule B – carry out every 5 years (specialists only)” on page 21). Contact Meltem or an authorised specialist company if this is the case.

⚠ DANGER

Potentially fatal voltages

- ▶ Do NOT remove the upper (item 2 in Fig. 15) or lower (item 3 in Fig. 15) electronics compartment cover.

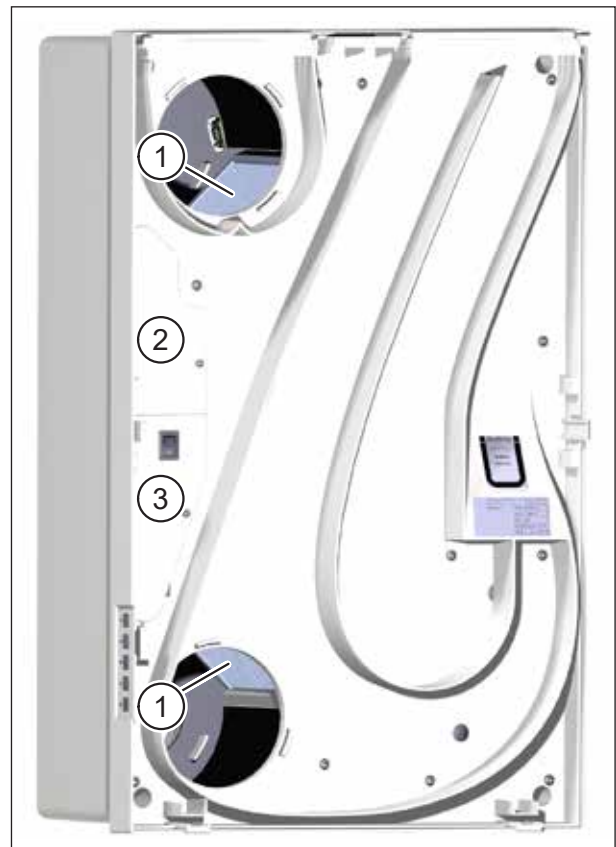


Fig. 15: Check heat exchanger for soiling

8.10 Insert new extract air filter

- ▶ Carefully guide the new extract air filter (item 1 in Fig. 16) into the ventilation unit.
- ▶ Make sure that the air filter slides into the 3 retaining tabs (item 2 in Fig. 16) on the back wall of the ventilation unit.
- ▶ Place the filter ring (item 3 in Fig. 16) on the extract air filter. Make sure that the filter ring lies flat on the intermediate plate (item 4 in Fig. 16).
- ▶ Turn the filter ring clockwise until the arrow on the filter ring (item 5 in Fig. 16) lines up with the arrow for the locking position (item 6 in Fig. 16). Make sure that the 4 tabs (item 7 in Fig. 16) on the filter ring engage in the retainers (item 8 in Fig. 16) on the intermediate plate.
- ▶ Check the position of the filter ring. The hand grip must be vertical and the arrow on the filter ring must line up with the arrow for the locking position (see Fig. 6 on page 12).

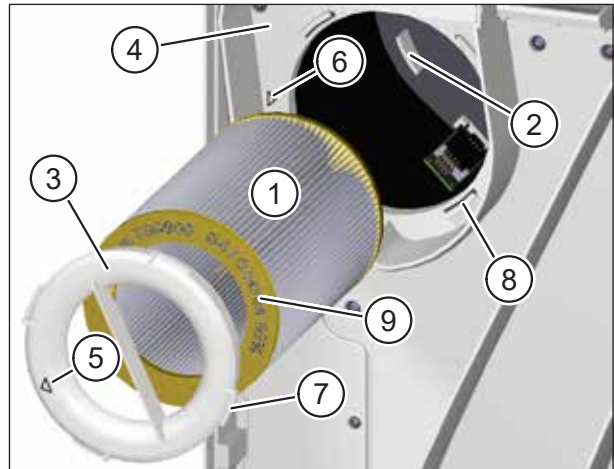


Fig. 16: Insert new extract air filter

NOTICE

- The ventilation unit will not work as well if the filter ring is not inserted correctly.
- Only M-WRG-II FS, part no. 750000, may be used as the extract air filter. The part no. and air filter class are imprinted on the yellow end plate of the air filter (item 9 in Fig. 16).

8.11 Insert new outdoor air filter

- ▶ Carefully guide the new outdoor air filter (item 1 in Fig. 17) into the ventilation unit.
- ▶ Make sure that the air filter slides into the 3 retaining tabs (item 2 in Fig. 17) on the back wall of the ventilation unit.
- ▶ Place the filter cover (item 3 in Fig. 17) on the outdoor air filter. Make sure that the filter cover lies flat on the intermediate plate (item 4 in Fig. 17).
- ▶ Turn the filter cover clockwise until the arrow on the filter cover (item 5 in Fig. 17) lines up with the arrow for the locking position (item 6 in Fig. 17). Make sure that the 3 tabs (item 7 in Fig. 17) on the filter cover engage in the retainers (item 8 in Fig. 17) on the intermediate plate.
- ▶ Check the position of the filter cover. The hand grip must be vertical and the arrow on the filter cover must line up with the arrow for the locking position (see Fig. 7 on page 13).

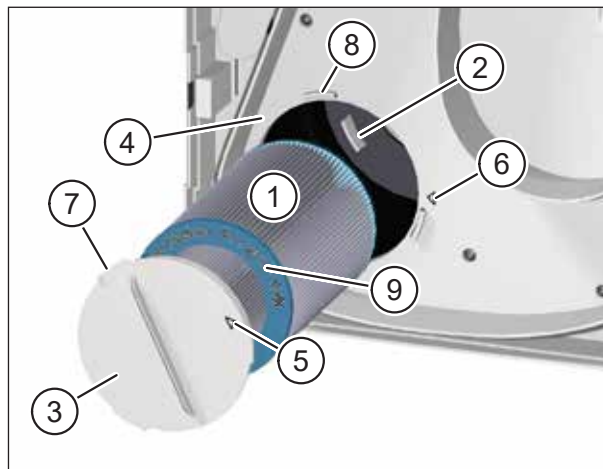


Fig. 17: Insert new outdoor air filter

NOTICE

- The ventilation unit will not work as well if the filter cover is not inserted correctly.
- Only M-WRG-II FA, part no. 750010, and M-WRG-II FK (activated charcoal filter), part no. 750020, may be used as the outdoor air filter. The part no. and air filter class are imprinted on the turquoise end plate of the air filter (item 9 in Fig. 17).

8.12 Switch on ventilation unit and check functions

- ▶ Switch the ventilation unit on at the mains switch (item 1 in Fig. 18).
- ▶ Check that the air flaps integrated into the ventilation unit are working correctly. You must clearly hear the air flaps open and close when the ventilation unit is switched on / off.
- ▶ Check the functions of the extract air and supply air fans. There must be a perceptible air flow at the extract air filter (item 2 in Fig. 18) and supply air opening (item 3 in Fig. 18).



Fig. 18: Function check

8.13 Attach unit cover to ventilation unit

- ▶ Hold the cover (item 1 in Fig. 19) of the ventilation unit with both hands and tilt the top edge of the cover towards the ventilation unit.
- ▶ Insert the tabs (item 2 in Fig. 19) of the unit cover into the retainers (item 3 in Fig. 19) on the top of the ventilation unit.
- ▶ Lightly press the bottom edge of the cover against the ventilation unit until you hear the cover snap in place.

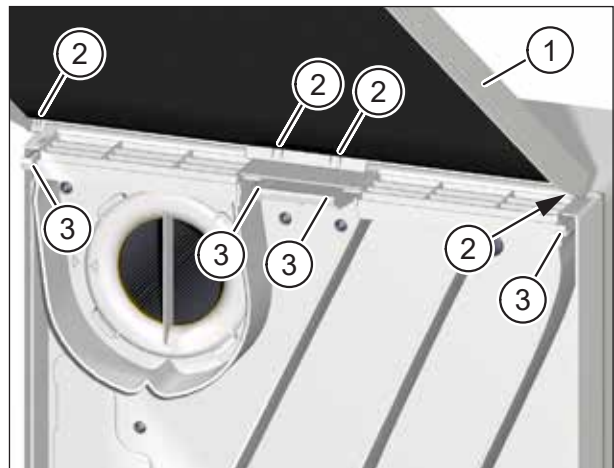


Fig. 19: Attach unit cover to ventilation unit

8.14 Reset filter change indicator

After every air filter change, the filter change indicator must be reset in order to restart monitoring of the period since the last air filter change. The procedure is as follows:

- ▶ Press button 1 (item 1 in Fig. 3 on page 7) for roughly 5 seconds.
The ventilation unit will beep three times as confirmation. Monitoring of the period since the last air filter change is now restarted.

8.15 Enter completed maintenance in maintenance schedule A

- ▶ Enter the date on which you carried out the maintenance in maintenance schedule A and tick the activities you carried out (see section 6.2 on page 10).

9 Maintenance schedule B – carry out every 5 years (specialists only)

We recommend that the activities specified in maintenance schedule B be carried out every 5 years. However, various factors (air quality, site of operation etc.) may require a shorter maintenance interval, e.g. if you identify a lot of soiling on the heat exchanger during the annual visual inspection (see section 8.9 on page 16).

WARNING

The activities described in this chapter must only be carried out by specialists with the following qualifications:

- Training and knowledge of how to inspect, clean and maintain ventilation units
- Training in the installation and commissioning of electrical devices
- Training in electrical hazards and the local safety requirements
- Knowledge of the relevant standards and directives
- Knowledge and observance of this document and all the safety instructions

9.1 Switch off power to the ventilation unit

DANGER

Potentially fatal voltages

- ▶ Disconnect the ventilation unit's mains cable on all poles from the mains supply (e.g. using the customer's circuit-breaker) before starting any maintenance work.
- ▶ Observe the five safety rules (DIN VDE 0105-100, EN 50110-1) for working on electrical systems:
 - Disconnect from mains (all-pole disconnection of a system from live parts)
 - Secure against reconnection
 - Check that the system is voltage-free
 - Earth and short-circuit
 - Cover or block off access to adjacent live parts

9.2 Remove cover from ventilation unit and clean

- ▶ Using both thumbs, press the two latches (item 1 in Fig. 20) on the bottom of the ventilation unit. The unit cover (item 2 in Fig. 20) will come away.
- ▶ At the same time, push your index fingers into the gap between the unit cover and housing, and lift the unit cover up and away from the housing.
- ▶ Clean the unit cover on all sides with a damp cloth and mild soapy water.

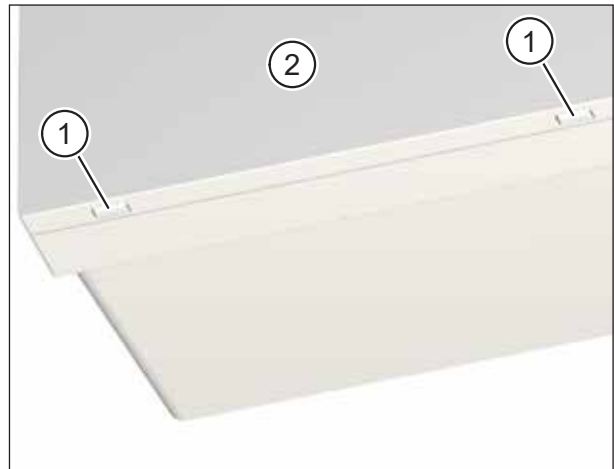


Fig. 20: Remove cover from the ventilation unit and clean

9.3 Remove extract air filter

- ▶ Turn the filter ring (item 1 in Fig. 21) using the hand grip (item 2 in Fig. 21) anti-clockwise until the filter ring is released from the retainers.
- ▶ Pull the filter ring together with the extract air filter (item 3 in Fig. 21) out of the ventilation unit.

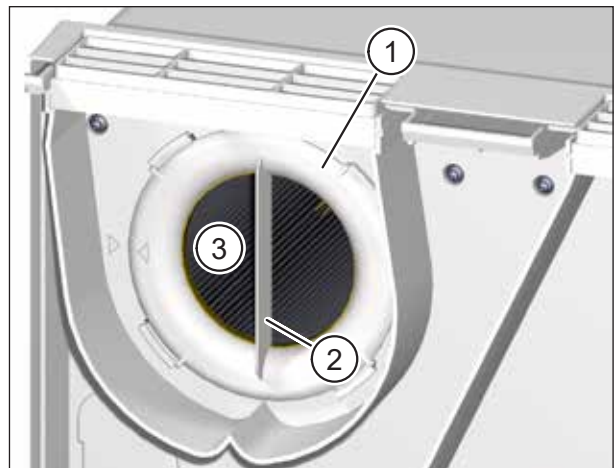


Fig. 21: Remove extract air filter

9.4 Remove outdoor air filter

- ▶ Turn the filter cover (item 1 in Fig. 7) using the hand grip (item 2 in Fig. 7) anti-clockwise until the filter cover is released from the retainers.
- ▶ Pull the filter cover together with the outdoor air filter out of the ventilation unit.

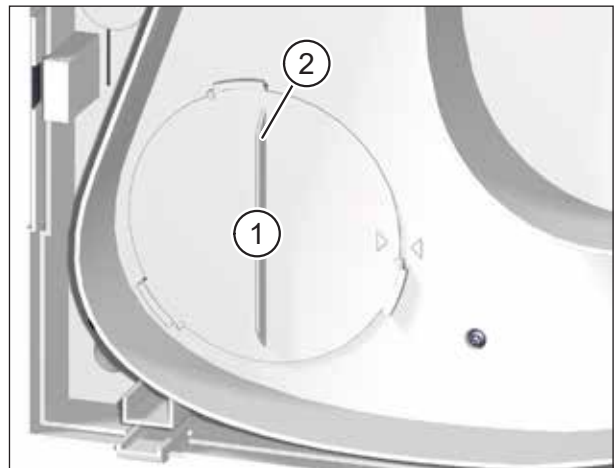


Fig. 22: Remove outdoor air filter

9.5 Remove electronics compartment covers and intermediate plate

⚠ DANGER

Potentially fatal voltages

There are potentially fatal voltages at the components behind the two electronics compartment covers.

- ▶ Disconnect the ventilation unit's mains cable on all poles from the mains supply (e.g. using the customer's circuit-breaker) before starting any maintenance work.
- ▶ Observe the five safety rules (DIN VDE 0105-100, EN 50110-1) for working on electrical systems:
 - Disconnect from mains (all-pole disconnection of a system from live parts)
 - Secure against reconnection
 - Check that the system is voltage-free
 - Earth and short-circuit
 - Cover or block off access to adjacent live parts

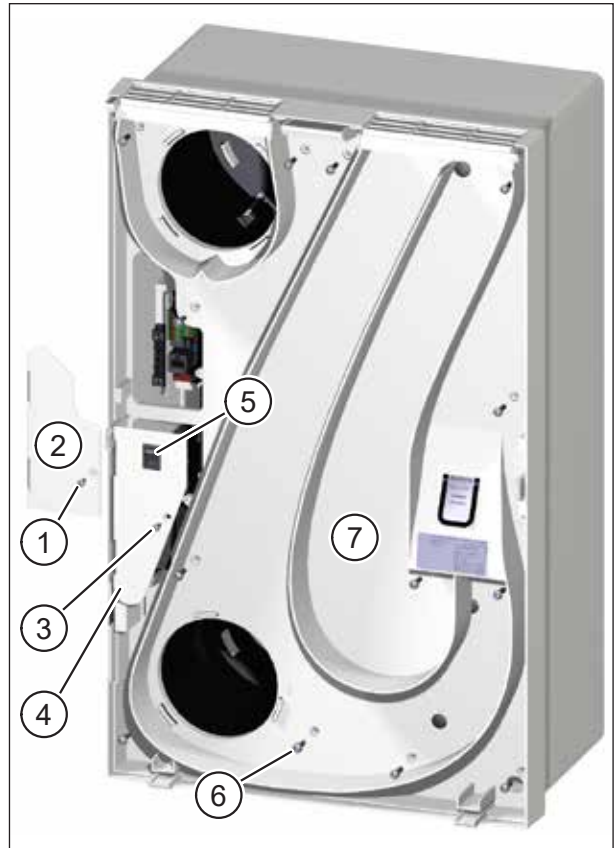


Fig. 23: Remove electronics compartment covers and intermediate plate

- ▶ Use the TX10 screwdriver to loosen the Torx screw (item 1 in Fig. 23) on the upper electronics compartment cover (item 2 in Fig. 23). Then remove the plate.
- ▶ Use the TX10 screwdriver to loosen the Torx screw (item 3 in Fig. 23) on the lower electronics compartment cover (item 4 in Fig. 23).

NOTICE

Remove the lower electronics compartment cover carefully because the mains switch (item 5 in Fig. 23) and its wiring are fixed to it.

- ▶ Pull the lower electronics compartment cover forward just a short distance otherwise there is a risk that the connecting cables will be detached from the mains switch or the PCB in the ventilation unit.
- ▶ Use the TX20 screwdriver to loosen the 13 Torx screws (item 6 in Fig. 23) on the intermediate plate (item 7 in Fig. 23). Then remove the plate. Guide the lower electronics compartment cover through the opening in the intermediate plate.

9.6 Remove heat exchanger

- ▶ Hold the heat exchanger (item 1 in Fig. 24) on the extract air side (labelled “ABL”, item 2 in Fig. 24) and the exhaust air side (labelled “FOL”, item 3 in Fig. 24).
- ▶ Carefully pull the heat exchanger forward and out. Make sure that the 6 sealing profiles (item 4 in Fig. 24) do not slide out with it.
- ▶ Immediately return any sealing profiles that do fall out to their original positions. Be careful to insert the narrow end of the sealing profile (see Fig. 24) first into the retainer.

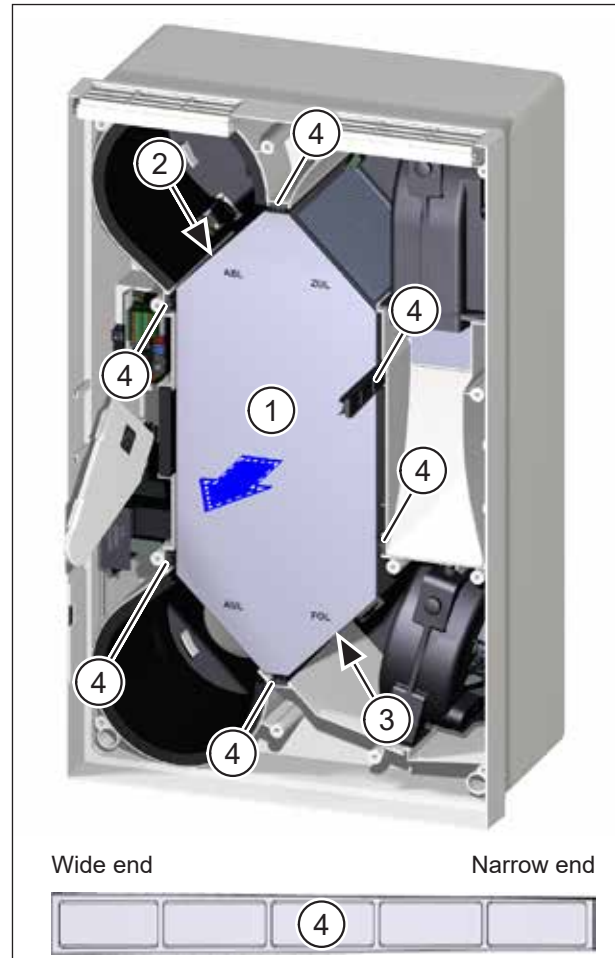


Fig. 24: Remove heat exchanger

9.7 Clean heat exchanger

The container used to clean the heat exchanger should be as large as possible, e.g. a bathtub.

- ▶ Place a large, soft cloth on the bottom of the container to avoid damaging the heat exchanger or container.
- ▶ Place the heat exchanger on the cloth.
- ▶ Clean the heat exchanger:
 - If the heat exchanger is not very dirty:
 - ▶ Rinse the heat exchanger with hot water.
 - If the heat exchanger is very dirty:
 - ▶ Clean the heat exchanger using warm water and mild soapy water.
 - ▶ Then rinse the heat exchanger thoroughly with clean water.
- ▶ Leave the heat exchanger in a vertical position to dry so that the water drains out of the heat exchanger's plates.

9.8 Insert heat exchanger

- ▶ Apply a thin film of Vaseline to the sealing lips (item 1 in Fig. 25) of the 6 sealing profiles (item 4 in Fig. 24 on page 24).
- ▶ Re-insert the heat exchanger (item 2 in Fig. 25) into the housing.
- ▶ Carefully push the heat exchanger in as far as it will go. Note the following points:
 - Do not tilt the heat exchanger as you push it in.
 - The sealing lips of the sealing profiles must point outwards (see arrows in Fig. 25).

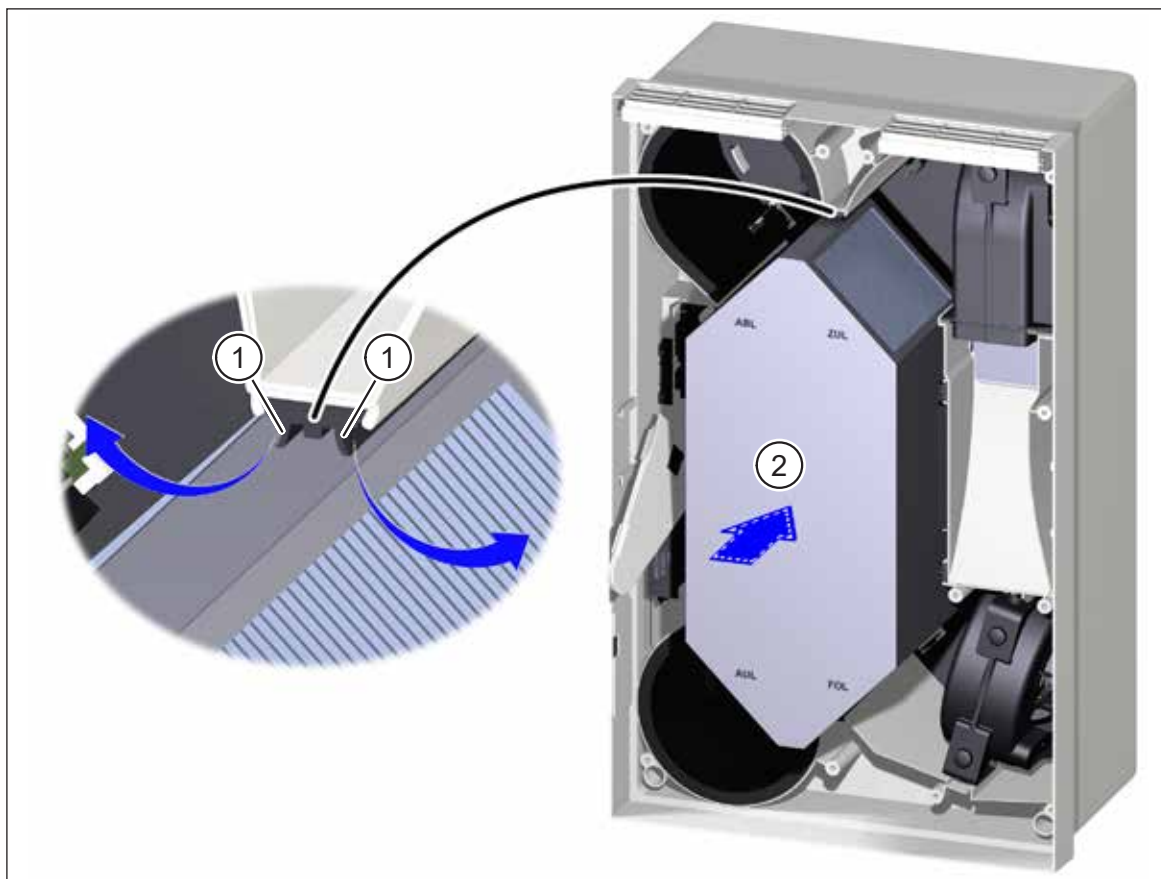


Fig. 25: Insert heat exchanger

9.9 Insert and secure intermediate plate and electronics compartment covers

- ▶ Attach the intermediate plate (item 1 in Fig. 26) to the ventilation unit.
- ▶ Guide the lower electronics compartment cover (item 2 in Fig. 26) through the opening in the intermediate plate.
- ▶ Attach the intermediate plate to the ventilation unit.
- ▶ Use the 13 TX20 Torx screws (item 3 in Fig. 26) to fix the intermediate plate.
- ▶ Use the TX10 Torx screw to fix the lower electronics compartment cover (item 2 in Fig. 26).
- ▶ Use the TX10 Torx screw to fix the upper electronics compartment cover (item 4 in Fig. 26).



Fig. 26: Insert and secure intermediate plate and electronics compartment covers

9.10 Clean flat ducts/flexible pipes

NOTICE

The maintenance described in this section is only necessary if your ventilation unit is connected to a flat ductwork/flexible pipe system.

- ▶ You will need to arrange for a specialist company to clean the flat ducts / flexible pipes. Contact Meltem or an authorised specialist company if this is the case.

You will find further information on this topic on our website at <https://www.meltem.com/service/wartung-reinigung/> (or using the QR code on this page).



Maintenance /
cleaning at
www.meltem.com

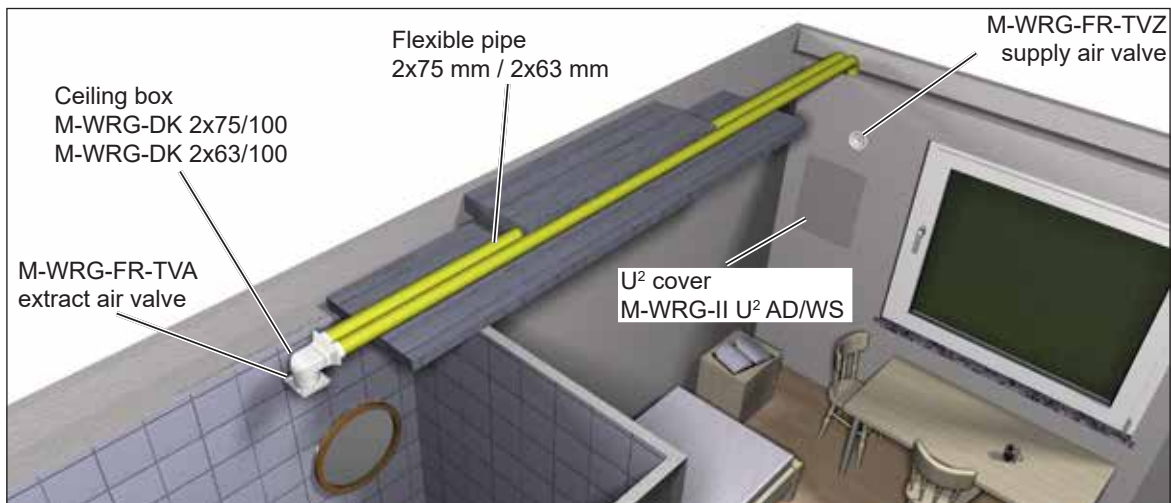


Fig. 27: Flexible pipe system

9.11 Insert air filters, carry out function test and attach unit cover

- ▶ Insert the new extract air filter (see section 8.10 on page 17).
- ▶ Insert the outdoor air filter (see section 8.11 on page 18).
- ▶ Carry out a function test (see section 8.12 on page 19).
- ▶ Attach the cover to the ventilation unit (see section 8.13 on page 19).

9.12 Enter completed maintenance in maintenance schedule B

- ▶ Enter the date on which you carried out the maintenance in maintenance schedule B and tick the activities you carried out (see section 6.3 on page 11).



We have checked the content of this publication for conformity with the unit described in it. There may nevertheless still be differences, so we cannot guarantee complete accuracy.

The information in this publication is regularly checked and any necessary corrections are made in subsequent editions.

Copyright © Meltem Wärmerückgewinnung GmbH & Co. KG

We reserve the right to make changes.

Meltem Wärmerückgewinnung GmbH & Co. KG

Am Hartholz 4

D-82239 Alling

Germany

Tel. +49 8141 404179-0

Fax +49 8141 404179-9

Internet: www.meltem.com

Email: info@meltem.com



Go to
Meltem download area